

ZA18 Front-end Loader

Dimensions (mm):

Overall Length	5840mm
Overall Width	1900mm
Overall Height	2700mm
Bucket Width	2000mm



Key Features

Bucket Size 0.9 m³

Engine Type: Changchai 4G33 • Rated Power: 70kW

Operating Weight: 4370kg • Tyre Size: 16/70 - 20 • Permanent 4x4

Quality without compromise

WUHLF
EQUIPMENT
PTY (LTD)

Head Office

Wallmannsthal Offramp

N1 North, Pretoria

Office: +27 (0) 12 548 0263

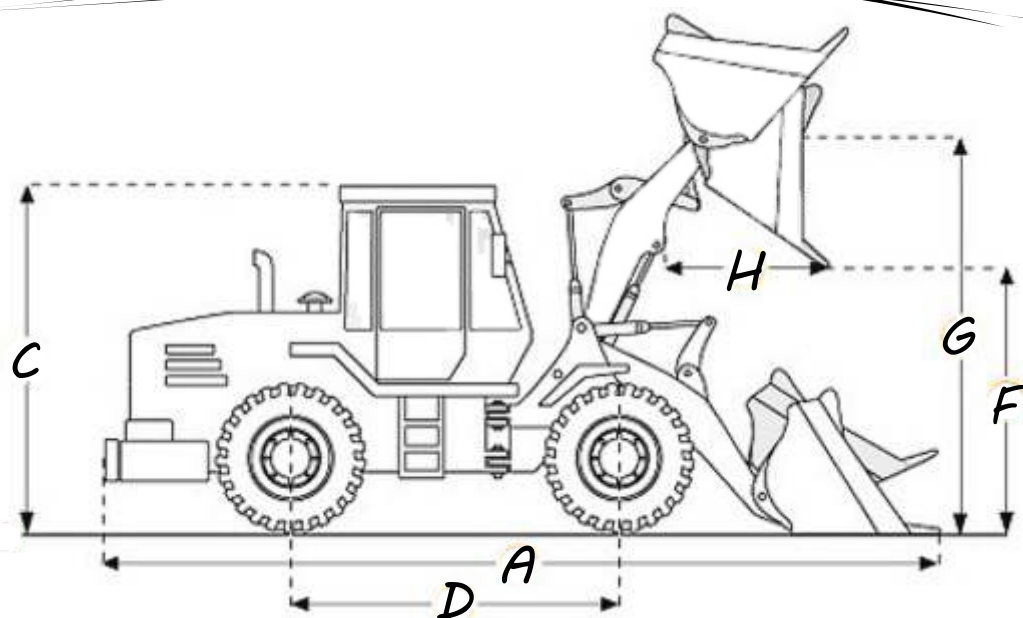
Office: +27 (0) 12 004 2000

Email: sales@wuhlf.co.za

Website: www.wuhlf.co.za

ZA18 Front End Loader

Technical Data:



A	Overall Length	5840mm
B	Overall Width	1900mm
C	Overall Height	2700mm
D	Wheel Base	2300mm
E	Min Ground Clearance	355mm
F	Max Dumping Clearance	3220mm
G	Max Dumping Height	3775mm
H	Dumping Reach	1000mm

Specifications	Rated Load	1.8 Ton
	Bucket Capacity	0.9m ³
	Max Climbing Gradient	30°
	Min Turn Radius	4000mm
Traveling Speed	Low Gear	0 - 10km/h
	High Gear	0 - 20km/h
	Reverse Low	0 - 10 km/h
	Reverse High	0 - 20km/h
Engine	Type	4cyl Diesel
	Rated Power	70kw
	Rated Speed	2400rpm
	Model	Changchai 4G33
Tyres	Standard Size	16/70 - 20
	Front Pressure	0.343mpa
		0.294mpa
Tank Capacities	Fuel Tank	85 ℓ
	Hydraulic Oil Tank	85 ℓ
	Engine Oil	15 ℓ
	Gear Box	8 ℓ
	Axle and Final Reducer	15 ℓ
	Brake System	4 ℓ
Transmission	Type	Power Shift ZI10
Articulation	Type	Full Hydraulic articulated frame steering
	Steering angle	35°
Working Hydraulics	System Type	Open Mode Controlling
	Working System Pressure	16mpa
	Bucket Delivery Time	1.1s
Brake System	Brake Pressure	0.45 - 0.68mpa
	Foot brake Type	Air assisted

