



**WUHLF
EQUIPMENT
PTY (LTD)**



ZA25 Eland Front-end Loader

Dimensions (mm):

Overall Length	6800mm
Overall Width	2115mm
Overall Height	2990mm
Bucket Width	2280mm



Key Features

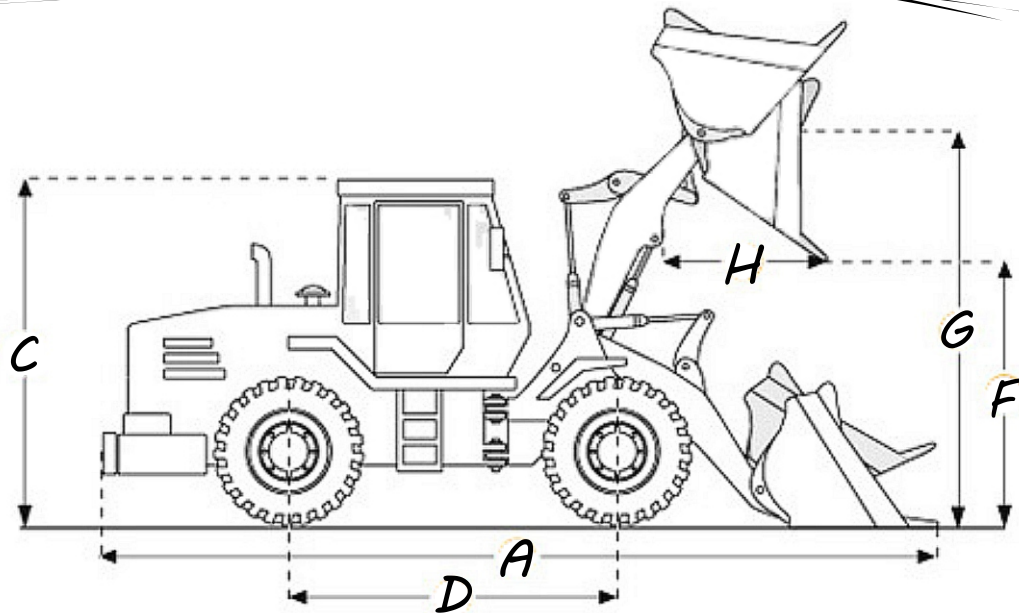
Bucket Size 1.4m³ • Engine Type: Weichai • Rated Power: 92 kW
Operating Weight: 6700kg • Tyre Size: 17.5 - 25 • Permanent 4x4

Quality without compromise

Head Office
Wallmannsthal Offramp
N1 North, Pretoria
Office: +27 (0) 12 548 0263
Office: +27 (0) 12 004 2000
Email: sales@wuhlf.co.za
Website: www.wuhlf.co.za

ZA25 Eland Front-end Loader

Technical Data:



A	Overall Length	6800mm
B	Overall Width	2115mm
C	Overall Height	2990mm
D	Wheel Base	2625mm
E	Min Ground Clearance	460mm
F	Max Dumping Clearance	3500mm
G	Max Dumping Height	4170mm
H	Dumping Reach	1360mm

<i>Specifications</i>	Rated Load	2.5 Ton
	Bucket Capacity	1.4m ³
	Raising Time	5.4s
	Max Breaking Force	86kn
	Max Drawing Force	55kn
	Max Climbing Gradient	30°
	Min Turn Radius	7800mm
<i>Traveling Speed</i>	1st Gear	0 - 10km/h
	2nd Gear	0 - 22km/h
	Reverse 1str	0 - 10 km/h
	Reverse 2nd	0 - 22km/h
<i>Engine</i>	Rated Power	92kw
	Rated Speed	2200rpm
	Model	WP6G125E22
<i>Tyres</i>	Standard Size	17.5—25
	Front Pressure	0.343mpa
		0.294mpa
<i>Tank Capacities</i>	Fuel Tank	83 ℓ
	Hydraulic Oil Tank	44 ℓ
	Engine Oil	20 ℓ
	Gear Box	45 ℓ
	Axle and Final Reducer	28 ℓ
	Brake System	4 ℓ
<i>Transmission</i>	Type	Power shift transmission
	Main Valve Pressure starts	1.20 –1.40mpa
	Flow Valve Pressure starts	0.50—0.60mpa
<i>Articulation</i>	Type	Full Hydraulic articulated frame steering
	Steering angle	30°
<i>Working Hydraulics</i>	System Type	Open Circuit
	Working System Pressure	16mpa
	Bucket Delivery Time	1.1s
<i>Brake System</i>	Brakes	Hydraulic
	Foot brake Type	Air assisted